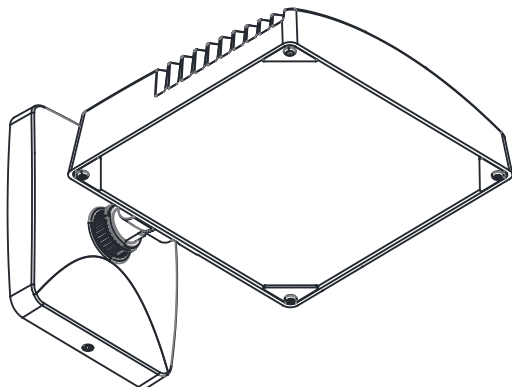


AMP[®] SECURE



INSTALLATION & MAINTENANCE GUIDE

AMP[®] SECURE Flood Light

ITEM: AFL-4034-35S-UNV-S & AFL-4035-80S-UNV-S

SAVE THESE INSTRUCTIONS

IMPORTANT: PLEASE READ BEFORE INSTALLATION

READ CAREFULLY BEFORE INSTALLING FIXTURE. RETAIN THESE INSTRUCTIONS FOR FUTURE REFERENCE.

Fixtures must be wired in accordance with all local codes and the National Electrical Code.
Proper grounding is required for safety.

THIS PRODUCT MUST BE INSTALLED IN ACCORDANCE WITH THE APPLICABLE INSTALLATION CODE BY A PERSON FAMILIAR WITH THE CONSTRUCTION AND OPERATION OF THE PRODUCT AND THE HAZARDS INVOLVED.

WARNING: Make certain power is OFF before installing or maintaining fixture. No user-serviceable parts inside.

Suitable for Wet locations.
Installation or Assembly Instructions.

IMPORTANT SAFETY INSTRUCTIONS

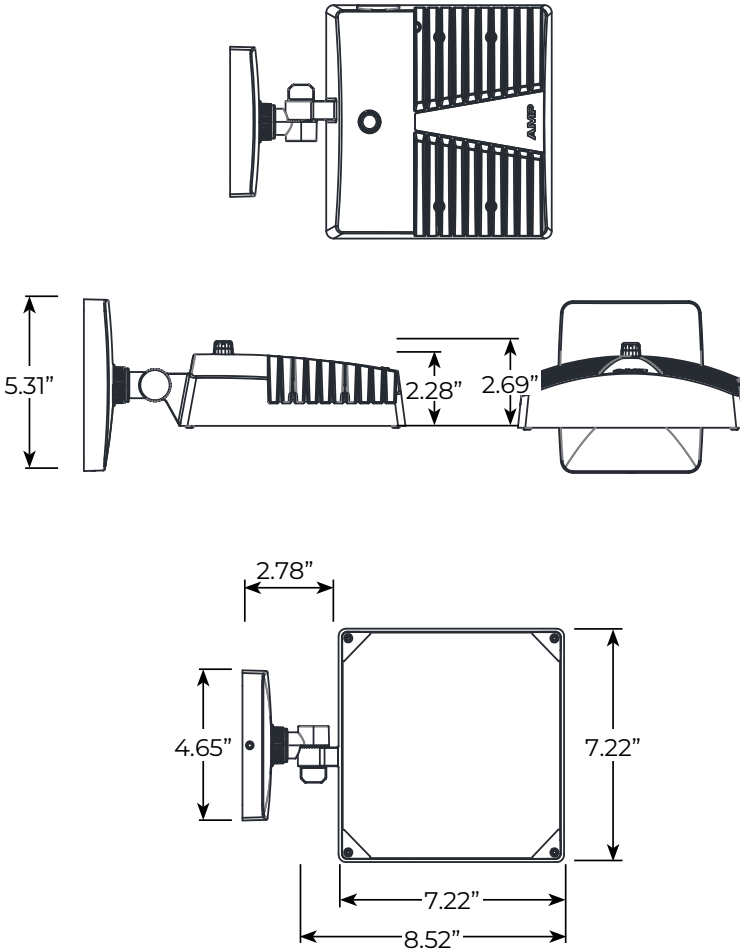
1. This LED area light uses the latest in solid state lighting technology for long life, low maintenance, and high efficiency.
2. An internal power-factor-corrected switch-mode supply allows it to be used from any nominal 120V~277V driver without any variation in light output.
3. Suitable for use in the following locations:
 - Ambient Temp: -40~+40°C (-40~+104°F)
 - Wet Locations
4. Be sure the supply voltage is suitable for the Luminaire voltage.

PACKAGE CONTENTS

- (1) Luminaire
- (2) Junction Box Screws
- (3) P4 Wire Connectors
- (2) P2 Wire Connectors
- (1) Clear Cap

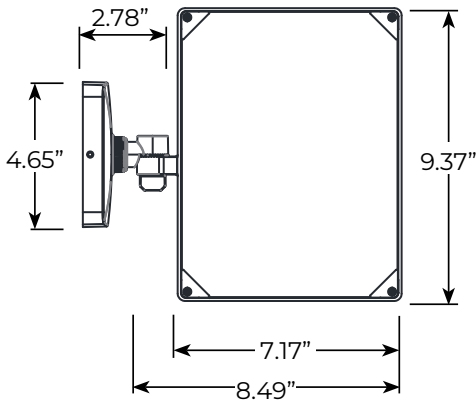
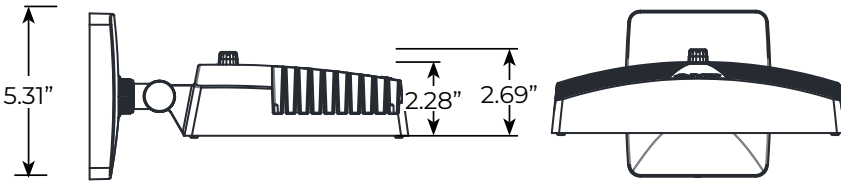
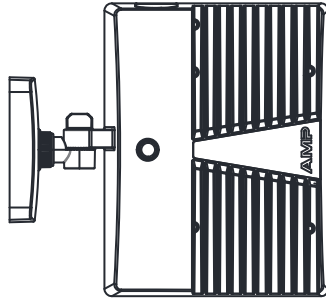
PRODUCT DIMENSIONS

15W/25W/35W

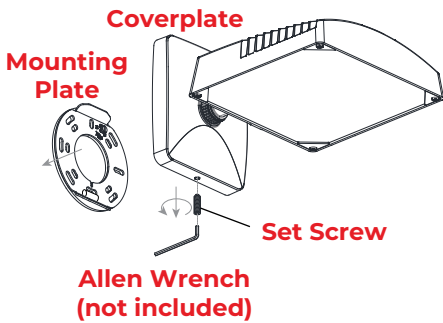


PRODUCT DIMENSIONS

40W/60W/80W

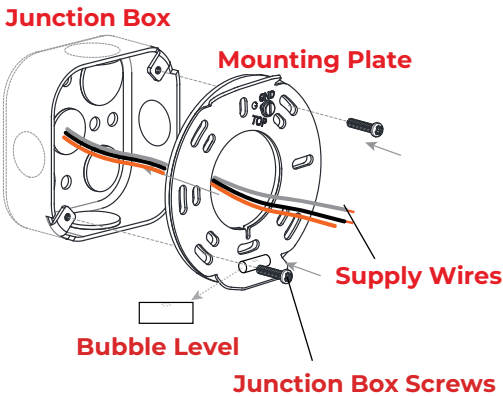


1 REMOVE MOUNTING PLATE



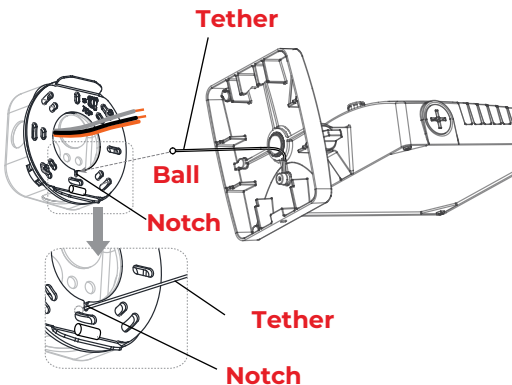
Loosen the set screw until the mounting plate disengages.

2 MOUNTING PLATE INSTALLATION



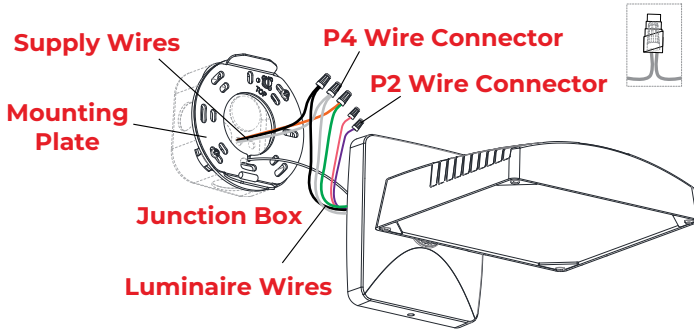
Secure the mounting plate to the junction box using the screws supplied or the screws that come with the junction box. Use the bubble level to level the mounting plate

3 TETHER

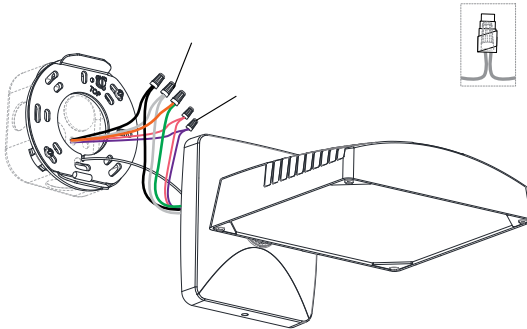


Secure the tether ball into the mounting plate notch to help with hands-free wiring.

4 CONNECT THE LUMINAIRE WIRES TO THE SUPPLY WIRES



Option 1: Supply Wires without dimming wires



Option 2: Supply Wires with dimming wires

Feed the supply wires through the mounting plate.
Make the connections as follows:

Connect the green ground wire to the green fixture wire

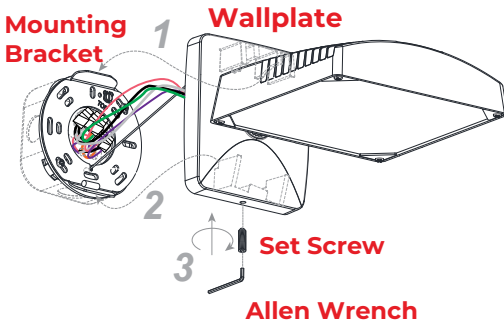
Connect the white wire to the white fixture wire

Connect the black wire to the black fixture wire

Connect the dimming wires if present – purple wire to purple wire and pink wire to pink wire. Compatible with 0-10V dimmers.

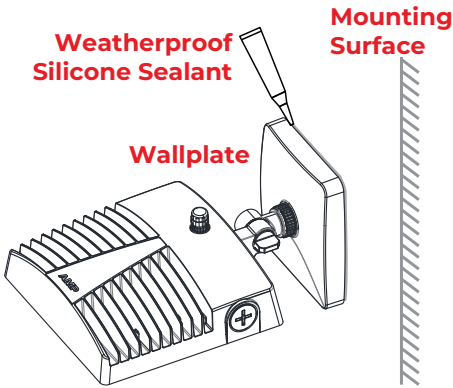
If dimming wires are not present, cap them with the smaller P2 wire connectors.

5 INSTALL LUMINAIRE



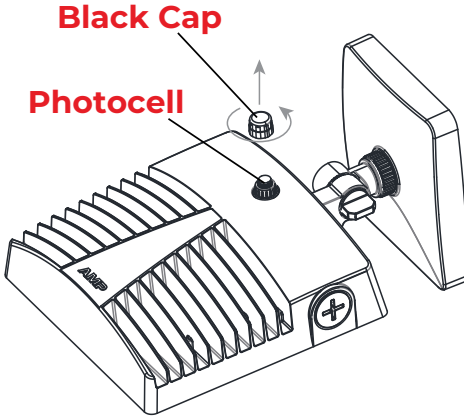
1. Carefully insert all the wires and connections into the junction box.
2. Hook the luminaire coverplate over the Mounting Plate
3. Secure with set screw.
4. Tighten.

6 APPLY WEATHERPROOF SILICONE SEALANT

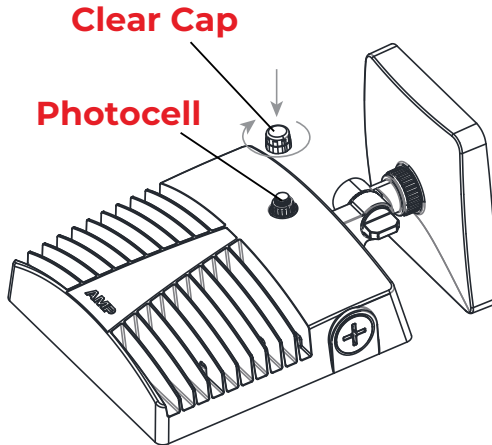


Apply weatherproof silicone sealant around the edge of the wallplate. This is especially important with an uneven wall surface. Do NOT apply the sealant to the bottom of the wallplate.

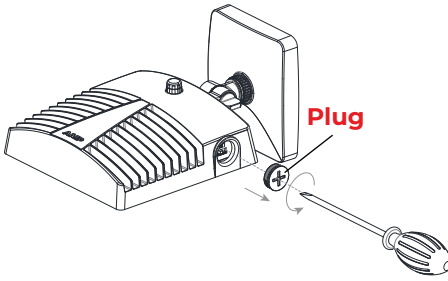
7 PHOTOCELL FUNCTION



To use the built-in photocell function: Remove the black plastic cap and replace it with the clear cap.



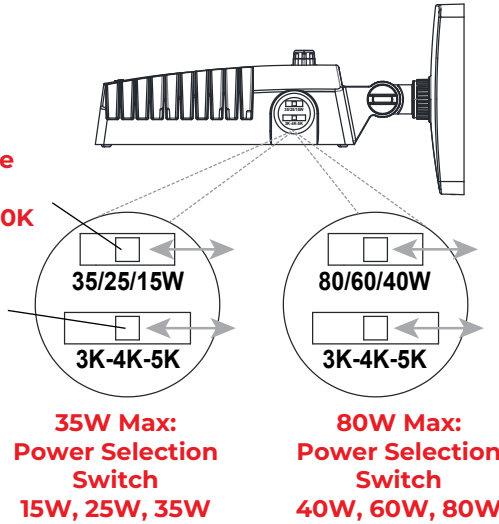
8 ACCESS TO SELECTION SWITCHES



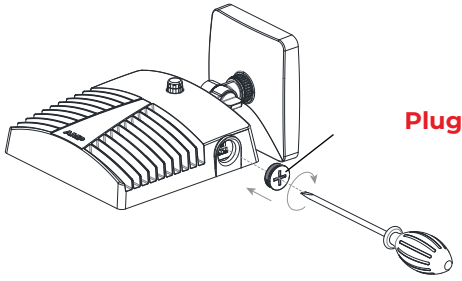
Remove threaded plug from the side of the area light to access the selection switches

9 COLOR TEMPERATURE (CCT) & POWER SELECT SWITCHES

Color Temperature Selection Switch
5000K- 4000K- 3000K

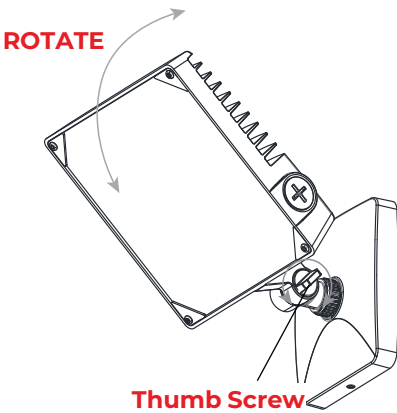


TO ACCESS TO SELECTION SWITCHES



Replace the threaded plug with o-ring on the side of the flood light.

T ADJUST THE LUMINAIRE ANGLE



Loosen the thumb screw and adjust the angle of the luminaire. Tighten the thumb screw.

AMP® **SECURE**

1-813-978-3700 • Mon-Fri 9am-6pm (ET)

Specifications and product details subject to change without notice.
© Copyright 2024, AMP® Lighting, Lutz FL USA 33549 • All rights reserved.
customersupport@amplighting.com • amplighting.com